



E6

756T For Texturizing

Direct Roving

756T Direct Roving is produced using E6 glass formulation and coated with a silane-based sizing. It is suitable to reinforce phenolic, epoxy, and unsaturated polyester resins. 756T Direct Roving is designed for use in texturizing process. The texturized roving converted from it can be used as the filler material of automotive mufflers, and to manufacture protruded profiles.



Product Features

- ◎ Excellent texturizing performance
- ◎ Good texturizing effect
- ◎ The texturized roving has strong absorption of resins
- ◎ Less volatiles at high temperature

Identification

Glass Type	E6		
Type of Size	Silane		
Size Code	756T		
Linear Density tex	1200	2400	4800
Filament Diameter	17	17	24

Technical Parameters

Linear Density (%)	Moisture Content (%)	Size Content (%)	Breakage Strength (N/Tex)
ISO1889	ISO3344	ISO1887	ISO3341
±5	≤ 0.10	0.60±0.10	≥0.40

Packaging

* The product can be packed on pallet or in small cardboard boxes.

Package height mm (in)	260 (10)	260 (10)
Package inside diameter mm (in)	160 (6.3)	160 (6.3)
Package outside diameter mm (in)	275 (11)	310 (12.2)
Package weight kg (lb)	15.6 (34.4)	22 (48.5)

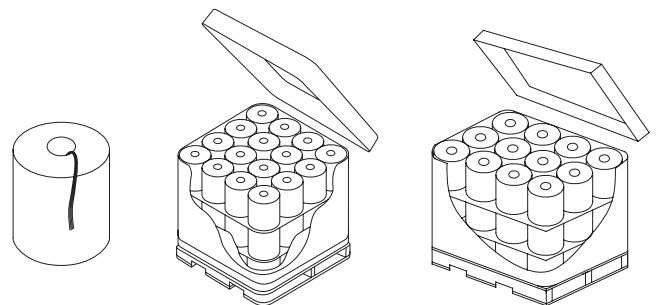
Number of layers	3	4	3	4
Number of doffs per layer	16		12	
Number of doffs per pallet	48	64	36	48
Net weight per pallet kg (lb)	750 (1653.4)	1000 (2204.6)	792 (1744.5)	1056 (2326)

Storage

Unless otherwise specified, the fiberglass products should be stored in a dry, cool and moisture-proof area. The room temperature and humidity should be always maintained at 15°C~35°C and 35% ~ 65%. It is best if the product is used within 12 months after production date. The fiberglass products should remain in their original packaging until just prior to user.

To ensure safety and avoid damage to the product, the pallets should not be stacked more than three layers high. When the pallets are stacked in 2 or 3 layers, special care should be taken to correctly and smoothly move the top pallet.

Pallet length mm (in)	1120 (44)		1270 (50)	
Pallet width mm (in)	1120 (44)		960 (37.8)	
Pallet height mm (in)	940 (37)	1180 (46.5)	940 (37)	1180 (46.5)



JUSHI GROUP CO., LTD.

版权所有：©巨石集团有限公司 ®巨石集团有限公司注册商标

Add: Tongxiang Economic Development Zone, Zhejiang 314500, PRC International Sales: +86-573-88181026 Fax: +86-573-88181058
 Domestic Sales: +86-573-88181016 Fax: +86-573-88136222 Customer Service: +86-573-88181017 Fax: +86-573-88181388
 Http://www.jushi.com E-mail: info@jushi.com