



E6

386T Direct Roving

For Filament Winding, Pultrusion, Weaving

386T Direct Roving is coated with a silane-based sizing compatible with unsaturated polyester, vinyl ester, and epoxy resins. It is designed for filament winding, pultrusion, and weaving applications. 386T is suitable for use in pipes, pressure vessels, gratings, and profiles, and the woven roving converted from it is used in boats and chemical storage tanks.



Product Features

- ◎ Good process performance and low fuzz
- ◎ Compatibility with multiple of resin systems
- ◎ Complete and fast wet-out
- ◎ Good mechanical properties
- ◎ Excellent acid corrosion resistance

Identification

Glass Type	E6						
Type of Size	Silane						
Size Code	386T						
Linear Density(tex)	300	200	600	1100	2200	2400	9600
		400	735	1200		4800	
Filament Diameter(um)	13	16	17	17	22	24	31

Technical Parameters

Linear Density (%)	Moisture Content (%)	Size Content (%)	Breakage Strength (N/tex)
ISO 1889	ISO 3344	ISO 1887	ISO 3341
±5	≤ 0.10	0.55±0.15	≥0.40

Packaging

* The product can be packed on pallet or in small cardboard boxes.

Package height mm (in)	260 (10)	260 (10)
Package inside diameter mm (in)	160 (6.3)	160 (6.3)
Package outside diameter mm (in)	270 (10.6)	310 (12.2)
Package weight kg (lb)	15.6 (34.4)	22 (48.5)

Mechanical Properties

Mechanical Properties	Unit	Value	Resin	Method
Tensile Strength	MPa	2741	UP	ASTM D2343
Tensile Modulus	MPa	81232	UP	ASTM D2343
Tensile Strength	MPa	2673	EP	ASTM D2343
Tensile Modulus	MPa	81126	EP	ASTM D2343
Shear strength	MPa	70	epoxy	ASTM D2344
Shear strength retention (72 hr boiling)	%	94	epoxy	—

The above data are actual experimental values for E6DR24-2400-386T and for reference only.

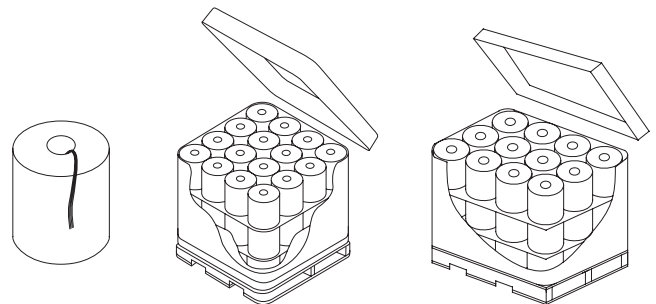
Number of layers	3	4	3	4
Number of doffs per layer	16		12	
Number of doffs per pallet	48	64	36	48
Net weight per pallet kg (lb)	750 (1653.4)	1000 (2204.6)	792 (1746)	1056 (2328)

Pallet length mm (in)	1120 (44)		1270 (50)	
Pallet width mm (in)	1120 (44)		960 (37.8)	
Pallet height mm (in)	940 (37)	1180 (45)	940 (37)	1180 (46.5)

Storage

Unless otherwise specified, the fiberglass products should be stored in a dry, cool and moisture-proof area. The room temperature and humidity should be always maintained at 15°C~35°C and 35% ~ 65%. It is best if the product is used within 12 months after production date. The fiberglass products should remain in their original packaging until just prior to user.

To ensure safety and avoid damage to the product, the pallets should not be stacked more than three layers high. When the pallets are stacked in 2 or 3 layers, special care should be taken to correctly and smoothly move the top pallet.



JUSHI GROUP CO., LTD.

J1022-01 10.03

版权所有：© 巨石集团有限公司 © 巨石集团有限公司注册商标

Add: Tongxiang Economic Development Zone, Zhejiang 314500, PRC International Sales: +86-573-88181026 Fax: +86-573-88181058
 Domestic Sales: +86-573-88181016 Fax: +86-573-88136222 Customer Service: +86-573-88181017 Fax: +86-573-88181388
 Http://www.jushi.com E-mail: info@jushi.com