

180 Assembled Roving for Spray-up is coated with a silane-based sizing, compatible with unsaturated polyester, vinyl ester and polyurethane resins.

180 is a versatile general purpose spray-up roving used to manufacture boats, yacht, sanitary ware, swimming pool and automotive parts and also pipe by centrifugal casting process.

Product Features

- ◎ Excellent static control
- ◎ Excellent choppability and dispersion
- ◎ Fast and complete wet-out ensures easy roll-out and rapid air release
- ◎ Excellent strength of the composite products
- ◎ Excellent hydrolysis-resistance of finished parts

Identification

| | |
|----------------------------------|---------------|
| Example | ER13-2400-180 |
| Type of Glass | E |
| Assembled Roving | R |
| Filament Diameter, μm | 13 |
| Linear Density, tex | 2400, 3000 |
| Size Code | 180 |



Technical Parameters

| Linear Density (%) | Moisture Content (%) | Size Content (%) | Stiffness (mm) |
|--------------------|----------------------|------------------|----------------|
| ISO 1889 | ISO 3344 | ISO 1887 | ISO 3375 |
| ± 5 | ≤ 0.15 | 1.00 ± 0.15 | 135 ± 15 |

Packaging

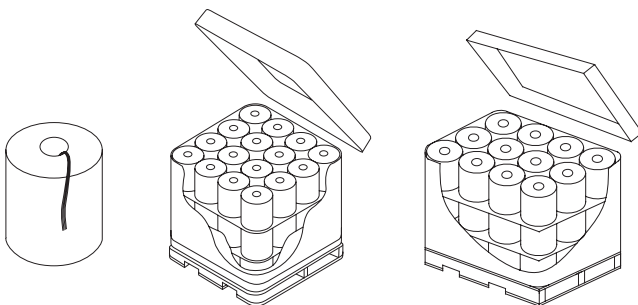
* The product can be packed on pallet or in small cardboard boxes.

| | | |
|----------------------------------|------------|------------|
| Package height mm (in) | 260 (10) | 260 (10) |
| Package inside diameter mm (in) | 100 (4) | 100 (4) |
| Package outside diameter mm (in) | 270 (10.6) | 310 (12.2) |
| Package weight kg (lb) | 17 (37.4) | 23 (50.7) |

Storage

Unless otherwise specified, fiberglass products should be stored in a dry, cool and rain-proof area. It is recommended that the room temperature and humidity should be always maintained at $15^{\circ}\text{C} \sim 35^{\circ}\text{C}$ and $35\% \sim 65\%$ respectively. To ensure safety and avoid damage to the product, the pallets should not be stacked more than three layers high. When the pallets are stacked in 2 or 3 layers, care should be taken to correctly and smoothly move the top pallet.

| | | | | |
|-------------------------------|--------------|---------------|--------------|---------------|
| Number of layers | 3 | 4 | 3 | 4 |
| Number of doffs per layer | 16 | | 12 | |
| Number of doffs per pallet | 48 | 64 | 36 | 48 |
| Net weight per pallet kg (in) | 816 (1797.3) | 1088 (2396.5) | 828 (1825.4) | 1104 (2433.9) |



| | | | | |
|-----------------------|-----------|-------------|------------|-------------|
| Pallet length mm (in) | 1120 (44) | | 1270 (50) | |
| Pallet width mm (in) | 1120 (44) | | 960 (37.8) | |
| Pallet height mm (in) | 940 (37) | 1180 (46.5) | 940 (37) | 1180 (46.5) |

JUSHI GROUP CO., LTD.

版权所有：©巨石集团有限公司 ®巨石集团有限公司注册商标