

178 high performance Assembled Roving for spray-up is coated with a silane-based sizing, compatible with unsaturated polyester and vinyl ester resins.

178 roving has a special sizing formulation and production process designed to enable high efficiency operations, satisfying the most demanding requirements in the robotic spray-up. 178 roving reduces spring-back in even the sharp corners, making the complex moldings relatively easy. Typical end use applications include sanitary ware, boats, swimming pool parts and transportation components.

Product Features

- ◎ Excellent static control
- ◎ Excellent choppability and dispersion
- ◎ Excellent drapability with no spring-back in sharp corners
- ◎ Easy roll-out and rapid air release enable high productivity
- ◎ Easy roll-out and rapid air release enable high productivity

Identification

Example	ER11-2400-178
Type of Glass	E
Assembled Roving	R
Filament Diameter, μm	11
Linear Density, tex	2400, 3000, 4800
Size Code	178



Technical Parameters

Linear Density (%)	Moisture Content (%)	Size Content (%)	Stiffness (mm)
ISO 1889	ISO 3344	ISO 1887	ISO 3375
± 5	≤ 0.15	1.00 ± 0.15	135 ± 15

Packaging

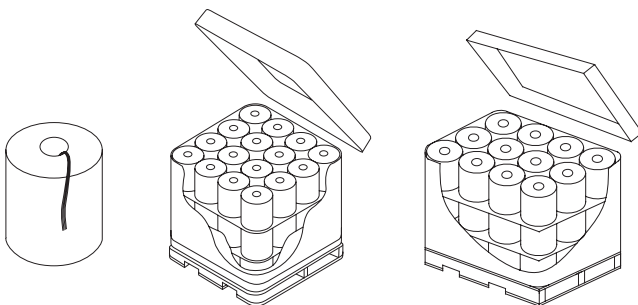
* The product can be packed on pallet or in small cardboard boxes.

Package height mm (in)	260 (10)	260 (10)
Package inside diameter mm (in)	100 (4)	100 (4)
Package outside diameter mm (in)	270 (10.6)	310 (12.2)
Package weight kg (lb)	17 (37.4)	23 (50.7)

Storage

Unless otherwise specified, fiberglass products should be stored in a dry, cool and rain-proof area. It is recommended that the room temperature and humidity should be always maintained at $15^{\circ}\text{C} \sim 35^{\circ}\text{C}$ and $35\% \sim 65\%$ respectively. To ensure safety and avoid damage to the product, the pallets should not be stacked more than three layers high. When the pallets are stacked in 2 or 3 layers, care should be taken to correctly and smoothly move the top pallet.

Number of layers	3	4	3	4
Number of doffs per layer	16		12	
Number of doffs per pallet	48	64	36	48
Net weight per pallet kg (in)	816 (1797.3)	1088 (2396.5)	828 (1825.4)	1104 (2433.9)



Pallet length mm (in)	1120 (44)		1270 (50)	
Pallet width mm (in)	1120 (44)		960 (37.8)	
Pallet height mm (in)	940 (37)	1180 (46.5)	940 (37)	1180 (46.5)

JUSHI GROUP CO., LTD.

版权所有：©巨石集团有限公司 ®巨石集团有限公司注册商标