

172 Assembled Roving for Spray-up is coated with a silane-based sizing, compatible with unsaturated polyester and vinyl ester resins. 172 roving provides several benefits including consistent dispersion of the chop, little yarn swap, fast wet-out and no spring back in tight corners. Typical end use applications include large swimming pools, recreational equipment, sanitary ware, storage tanks and automotive parts.



Product Features

- ◎ Excellent choppability
- ◎ Excellent static control
- ◎ Excellent spray-up efficiency
- ◎ Easy roll-out providing optimal air release
- ◎ Excellent strength of the final composite products

Identification

Example	ER12-2400-172
Type of Glass	E
Assembled Roving	R
Filament Diameter, μm	12
Linear Density, tex	2400, 3000
Size Code	172

Technical Parameters

Linear Density (%)	Moisture Content (%)	Size Content (%)	Stiffness (mm)
ISO 1889	ISO 3344	ISO 1887	ISO 3375
± 5	≤ 0.10	1.05 ± 0.15	135 ± 20

Packaging

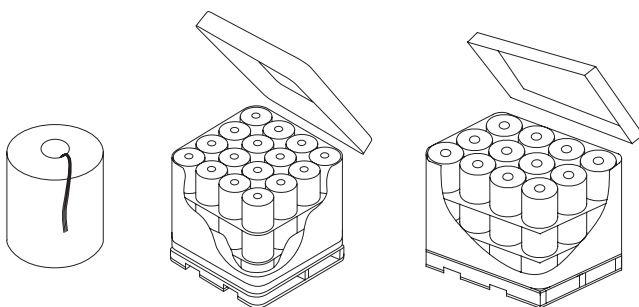
* The product can be packed on pallet or in small cardboard boxes.

Package height mm (in)	260 (10)	260 (10)
Package inside diameter mm (in)	100 (4)	100 (4)
Package outside diameter mm (in)	270 (10.6)	310 (12.2)
Package weight kg (lb)	17 (37.4)	23 (50.7)

Storage

Unless otherwise specified, fiberglass products should be stored in a dry, cool and rain-proof area. It is recommended that the room temperature and humidity should be always maintained at $15^{\circ}\text{C} \sim 35^{\circ}\text{C}$ and $35\% \sim 65\%$ respectively. To ensure safety and avoid damage to the product, the pallets should not be stacked more than three layers high. When the pallets are stacked in 2 or 3 layers, care should be taken to correctly and smoothly move the top pallet.

Number of layers	3	4	3	4
Number of doffs per layer	16		12	
Number of doffs per pallet	48	64	36	48
Net weight per pallet kg (in)	816 (1797.3)	1088 (2396.5)	828 (1825.4)	1104 (2433.9)



Pallet length mm (in)	1120 (44)		1270 (50)	
Pallet width mm (in)	1120 (44)		960 (37.8)	
Pallet height mm (in)	940 (37)	1180 (46.5)	940 (37)	1180 (46.5)

JUSHI GROUP CO., LTD.

版权所有：©巨石集团有限公司 ®巨石集团有限公司注册商标