

162 Assembled Roving is coated with a special silane-based sizing compatible with unsaturated polyester and vinyl ester resins. Produced from E6 glass, 162 is designed for use in FRP chop applications, offering strong resin absorbability and excellent water resistance and chemical corrosion resistance in the FRP products.

### Product Features

- ◎ Moderate wet-out and good compatibility with resins
- ◎ Good dispersion and uniform distribution in parts
- ◎ Good anti-static property
- ◎ Good choppability
- ◎ Excellent acid corrosion resistance

### Identification

Glass Type	E6	
Type of Size	Silane	
Size Code	162	
Linear density tex	2400	4800
Filament Diameter $\mu\text{m}$	13	13

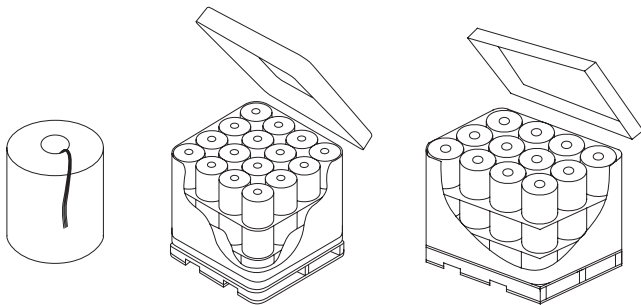


### Technical Parameters

Linear Density (%)	Moisture Content (%)	Size Content (%)	Stiffness (mm)
ISO1889	ISO3344	ISO1887	ISO3375
$\pm 5$	$\leq 0.15$	$1.20 \pm 0.15$	$125 \pm 20$

### Storage

Unless otherwise specified, the fiberglass products should be stored in a dry, cool and moisture-proof area. The fiberglass products should remain in their original package until prior to use. The room temperature and humidity should be always maintained at  $15^{\circ}\text{C} \sim 35^{\circ}\text{C}$  and 35% ~ 65% respectively. To ensure safety and avoid damage to the product, the pallets should not be stacked more than three layers high. When the pallets are stacked in 2 or 3 layers, special care should be taken to correctly and smoothly move the top pallet.



### Packaging

\* The product can be packed on pallet or in small cardboard boxes.

Package height mm (in)	260 (10)	260 (10)
Package inside diameter mm (in)	100 (4)	100 (4)
Package outside diameter mm (in)	270 (10.6)	310 (12.2)
Package weight kg (lb)	17 (37.4)	23 (50.7)

Number of layers	3	4	3	4
Number of doffs per layer	16		12	
Number of doffs per pallet	48	64	36	48
Net weight per pallet kg (in)	816 (1797.3)	1088 (2396.5)	828 (1825.4)	1104 (2433.9)

Pallet length mm (in)	1120 (44)		1270 (50)	
Pallet width mm (in)	1120 (44)		960 (37.8)	
Pallet height mm (in)	940 (37)	1180 (46.5)	940 (37)	1180 (46.5)