

**266 Assembled Roving is specifically designed for filament winding process.**  
**266 is compatible with unsaturated polyester and used in storage tanks and pipes. It is widely used in petroleum, chemical, mining and electric and electronic applications.**

### Product Features

- Consistent tension and low catenary
- Good integrity and payout
- Good ribbonization and low fuzz
- Fast and complete wet-out
- Good mechanical properties of parts.

### Identification

Example	ER13-2400-266
Type of Glass	E
Assembled Roving	R
Filament Diameter, $\mu\text{m}$	13
Linear Density, tex	2400, 4800
Size Code	266



### Technical Parameters

Linear Density (%)	Moisture Content (%)	Size Content (%)	Breakage Strength (N/tex)
ISO 1889	ISO 3344	ISO 1887	ISO 3341
$\pm 5$	$\leq 0.10$	$0.55 \pm 0.15$	$\geq 0.40$

### Packaging

\* The product can be packed on pallet or in small cardboard boxes.

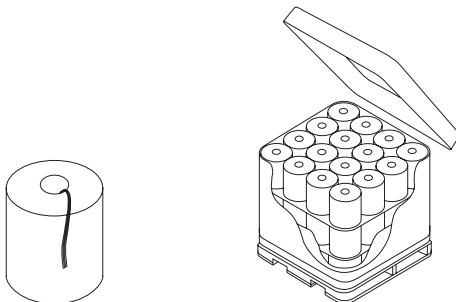
Package height mm (in)	260 (10)
Package inside diameter mm (in)	100 (4)
Package outside diameter mm (in)	270 (10.6)
Package weight kg (lb)	20 (44)

Number of layers	3	4
Number of doffs per layer	16	
Number of doffs per pallet	48	64
Net weight per pallet kg (in)	816 (1797.3)	1088 (2396.5)

Pallet length mm (in)	1120 (44)	
Pallet width mm (in)	1120 (44)	
Pallet height mm (in)	940 (37)	1180 (46.5)

### Storage

Unless otherwise specified, fiberglass products should be stored in a dry, cool and rain-proof area. It is recommended that the room temperature and humidity should be always maintained at  $15^{\circ}\text{C} \sim 35^{\circ}\text{C}$  and  $35\% \sim 65\%$  respectively. To ensure safety and avoid damage to the product, the pallets should not be stacked more than three layers high. When the pallets are stacked in 2 or 3 layers, care should be taken to correctly and smoothly move the top pallet.



## JUSHI GROUP CO., LTD.

版权所有：©巨石集团有限公司 ®巨石集团有限公司注册商标

Add: Tongxiang Economic Development Zone, Zhejiang 314500, PRC  
 Domestic Sales: +86-573-88181016 Fax:+86-573-88136222  
 Http://www.jushi.com E-mail:info@jushi.com

International Sales: +86-573-88181026 Fax:+86-573-88181058  
 Customer Service: +86-573-88181017 Fax:+86-573-88181388