

838 Assembled Panel Roving is coated with a silane-based sizing compatible with unsaturated polyester and acrylic resins. 838 is designed to deliver excellent performance in transparent, translucent, and opaque panel applications.

838 offers fast wet-out speed, and is suitable for use in the manufacture of daylighting panels.



### Product Features

- ⊙ Excellent static control
- ⊙ Good dispersion under certain tension
- ⊙ Consistent and uniform laydown
- ⊙ Excellent wet-out
- ⊙ Good mechanical properties
- ⊙ Excellent mechanical properties of the finished product

### Identification

Example	ER12-2400-838
Type of Glass	E
Assembled Roving	R
Filament Diameter, $\mu\text{m}$	12
Linear Density, tex	2400
Size Code	838

### Technical Parameters

Linear Density (%)	Moisture Content (%)	Size Content (%)	Stiffness (mm)
ISO 1889	ISO 3344	ISO 1887	ISO 3375
$\pm 5$	$\leq 0.15$	$0.65 \pm 0.15$	$115 \pm 15$

### Packaging

\* The product can be packed on pallet or in small cardboard boxes.

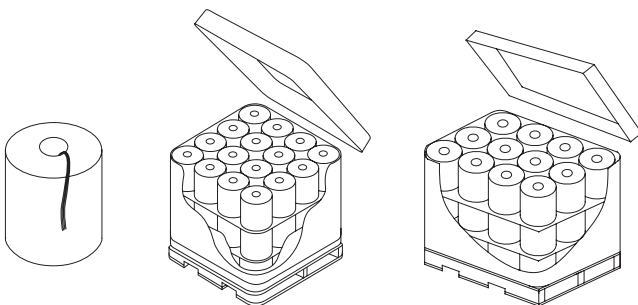
Package height mm (in)	260 (10)	260 (10)
Package inside diameter mm (in)	100 (4)	100 (4)
Package outside diameter mm (in)	270 (10.6)	310 (12.2)
Package weight kg (lb)	17 (37.4)	23 (50.7)

### Storage

Unless otherwise specified, the fiberglass products should be stored in a dry, cool and moisture-proof area. The room temperature and humidity should be always maintained at  $15^{\circ}\text{C} \sim 35^{\circ}\text{C}$  and  $35\% \sim 65\%$ . It is best if the product is used within 6 months after production date. The fiberglass products should remain in their original packaging until just prior to user.

To ensure safety and avoid damage to the product, the pallets should not be stacked more than three layers high. When the pallets are stacked in 2 or 3 layers, special care should be taken to correctly and smoothly move the top pallet.

Number of layers	3	4	3	4
Number of doffs per layer	16		12	
Number of doffs per pallet	48	64	36	48
Net weight per pallet kg (in)	816 (1797.3)	1088 (2396.5)	828 (1825.4)	1104 (2433.9)



Pallet length mm (in)	1120 (44)		1270 (50)	
Pallet width mm (in)	1120 (44)		960 (37.8)	
Pallet height mm (in)	940 (37)	1180 (46.5)	940 (37)	1180 (46.5)

## JUSHI GROUP CO., LTD.

版权所有：© 巨石集团有限公司 ® 巨石集团有限公司注册商标